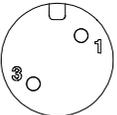
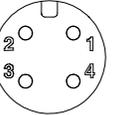
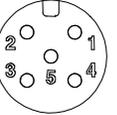
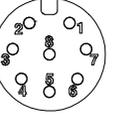
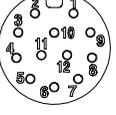
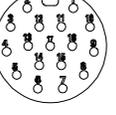


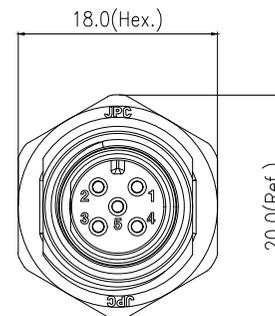
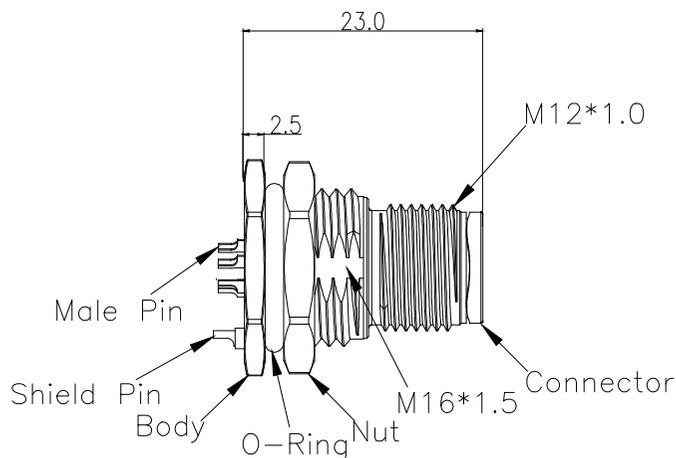
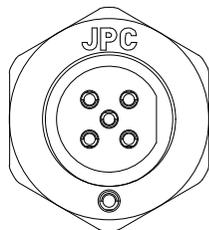
THIS DRAWING AND THE DATA DISCLOSED HEREIN OR HEREWITH IS NOT TO BE REPRODUCED USED OR DISCLOSED IN WHOLE OR IN PART TO ANYONE WITHOUT THE PERMISSION OF JESS-LINK PRODUCTS CO.,LTD.(JPC)

CUSTOMER DRAWING

REV.	ECN NO.	DESCRIPTION	MDF'D	APP'D	DATE
01		First Release	Ray	George	07/15/2024

Pin Assignment Front View

2pin  250V/4A	3pin  250V/4A	4pin  250V/4A
5pin  60V/4A	6pin  30V/2A	8pin  30V/2A
10pin  30V/1.5A	12pin  30V/1.5A	17pin  30V/1A



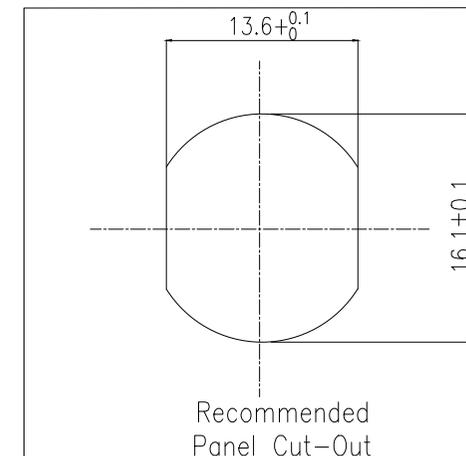
P/N:

A-MS12-XXP-MMSS-SF-70002

XX : No. Of Pin

Notes:

- Connector :
  - Housing : PA66 , Black , UL94V-0
  - Male Pin : Copper alloy , Gold plated
  - O-Ring : Silicone Rubber , Black
  - Body : Zinc Alloy , Ni plated
  - Nut : Zinc Alloy , Ni plated
  - Shield Pin : Copper alloy , Ni plated
- Waterproof Rate : IP67 Mated.
- RoHS Compliant



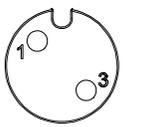
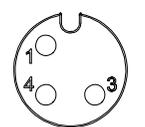
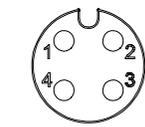
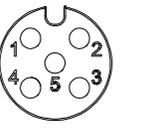
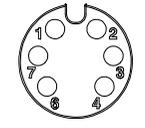
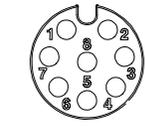
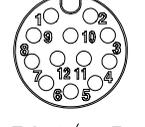
<b>RoHS COMPLIANT</b>	Unit : mm	PROJECTION 	<b>JPC connectivity</b>		
	GENERAL TOLERANCES: (UNLESS SPECIFIED)	D.R. 07/15/2024			TITLE M12 A code Male Connector Front Fastened
	0 = ±.50	CH.K 07/15/2024	SCALE -	SIZE A4	PART NO. A-MS12- <u>XX</u> P-MMSS-SF-70002
	0.0 = ±.25 0.00 = ±.15 0.000 = ±.05 0' = ±.2' 0.0' = ±.1'	APV.D 07/15/2024	REV. 01	SHEET 1 OF 1	

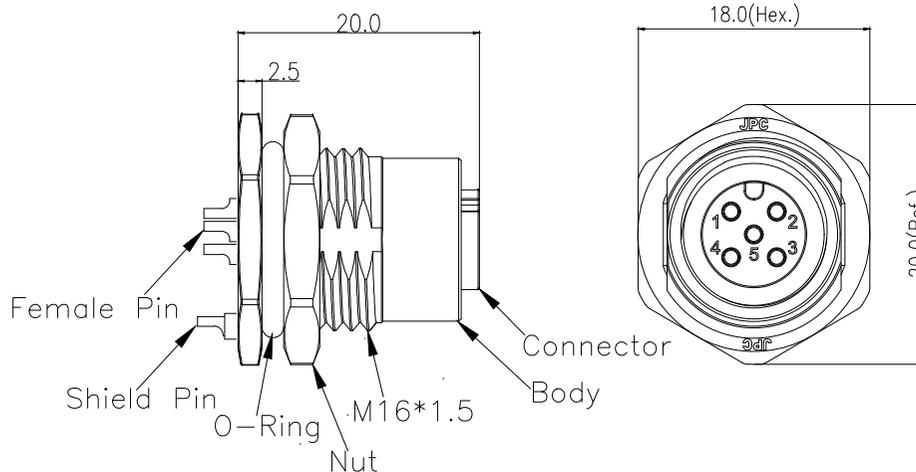
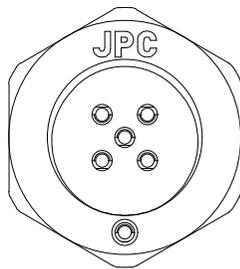
THIS DRAWING AND THE DATA DISCLOSED HEREIN OR HEREWITH IS NOT TO BE REPRODUCED USED OR DISCLOSED IN WHOLE OR IN PART TO ANYONE WITHOUT THE PERMISSION OF JESS-LINK PRODUCTS CO.,LTD.(JPC)

CUSTOMER DRAWING

REV.	ECN NO.	DESCRIPTION	MDF'D	APP'D	DATE
01		First Release	Ray	George	07/15/2024

Pin Assignment Front View

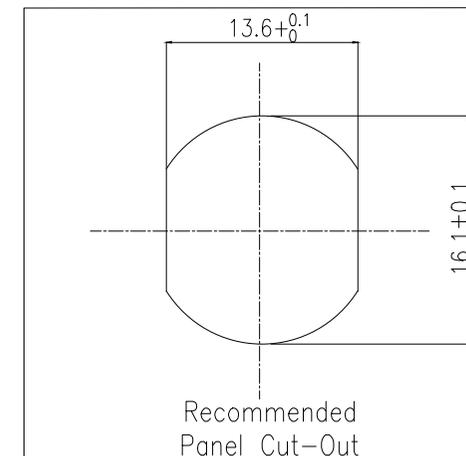
2pin  250V/4A	3pin  250V/4A	4pin  250V/4A
5pin  60V/4A	6pin  30V/2A	8pin  30V/2A
10pin  30V/1.5A	12pin  30V/1.5A	17pin  30V/1A



P/N:

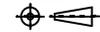
A-MS12-XXP-FFSS-SF-70002

XX : No. Of Pin



Notes:

- Connector :
  - Housing : PA66 , Black , UL94V-0
  - Female Pin : Copper alloy , Gold plated
  - O-Ring : Silicone Rubber , Black
  - Body : Zinc Alloy , Ni plated.
  - Nut : Zinc Alloy , Ni plated.
  - Shield Pin : Copper alloy , Ni plated.
- Waterproof Rate : IP67 Mated.
- RoHS Compliant

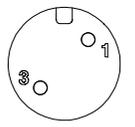
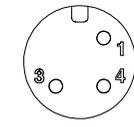
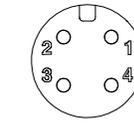
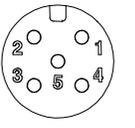
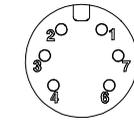
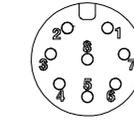
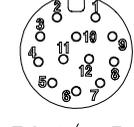
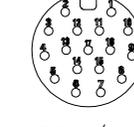
<b>RoHS COMPLIANT</b>	Unit : mm	PROJECTION 		<b>JPC connectivity</b>		
	GENERAL TOLERANCES: (UNLESS SPECIFIED)	D.R. 07/15/2024	TITLE M12 A code Female Connector Front Fastened			PD./FILE NO.
	0 = ±.50	CH.K 07/15/2024	SCALE -	SIZE A4	PART NO. A-MS12-XXP-FFSS-SF-70002	REV. 01
	0.0 = ±.25 0.00 = ±.15 0.000 = ±.05 0' = ±.2' 0.0' = ±.1'	APV.D 07/15/2024			SHEET 1 OF 1	

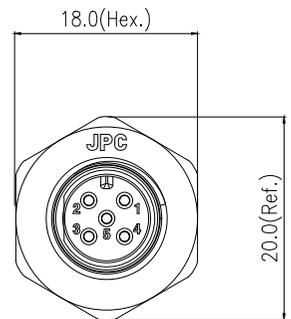
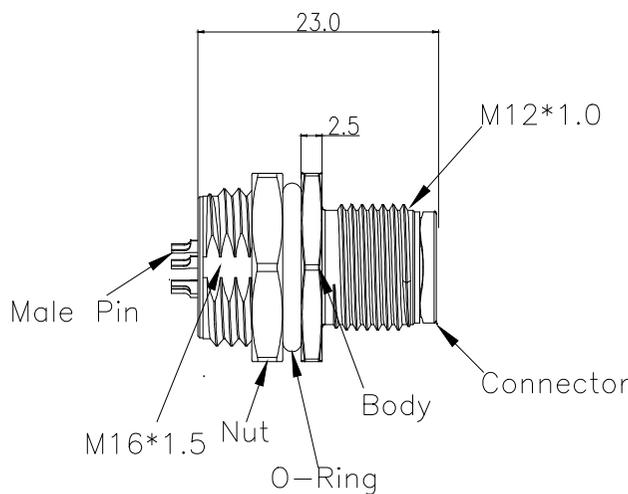
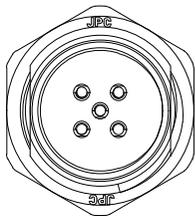
THIS DRAWING AND THE DATA DISCLOSED HEREIN OR HEREWITH IS NOT TO BE REPRODUCED USED OR DISCLOSED IN WHOLE OR IN PART TO ANYONE WITHOUT THE PERMISSION OF JESS-LINK PRODUCTS CO.,LTD.(JPC)

CUSTOMER DRAWING

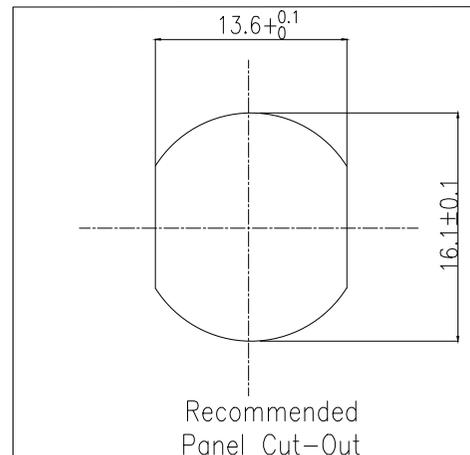
REV.	ECN NO.	DESCRIPTION	MDF'D	APP'D	DATE
01		First Release	Ray	George	07/15/2024

Pin Assignment Front View

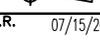
2pin  250V/4A	3pin  250V/4A	4pin  250V/4A
5pin  60V/4A	6pin  30V/2A	8pin  30V/2A
10pin  30V/1.5A	12pin  30V/1.5A	17pin  30V/1A



P/N:  
A-MN12-XXP-MMSS-SR-70002  
XX : No. Of Pin



- Notes:
- Connector :
    - Housing : PA66 , Black , UL94V-0
    - Male Pin : Copper alloy , Gold plated
    - O-Ring : Silicone Rubber , Black
    - Body : Zinc Alloy , Ni plated
    - Nut : Zinc Alloy , Ni plated
  - Waterproof Rate : IP67 Mated.
  - RoHS Compliant

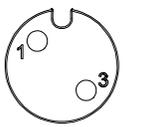
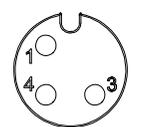
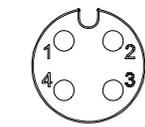
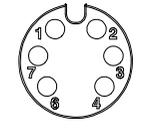
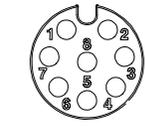
<b>RoHS COMPLIANT</b>	Unit : mm	PROJECTION 	<b>JPC connectivity</b>		
	GENERAL TOLERANCES: (UNLESS SPECIFIED)	D.R. 07/15/2024			TITLE M12 A code Male Connector Rear Fastened
	0 = ±.50	CH.K 07/15/2024	SCALE -	SIZE A4	PART NO. A-MN12-XXP-MMSS-SR-70002
	0.0 = ±.25 0.00 = ±.15 0.000 = ±.05 0' = ±.2' 0.0' = ±.1'	APV.D 07/15/2024	REV. 01	SHEET 1 OF 1	

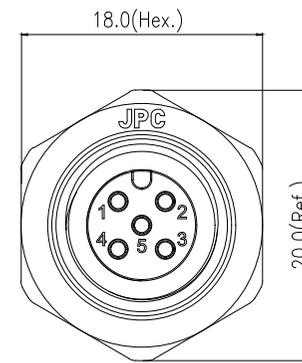
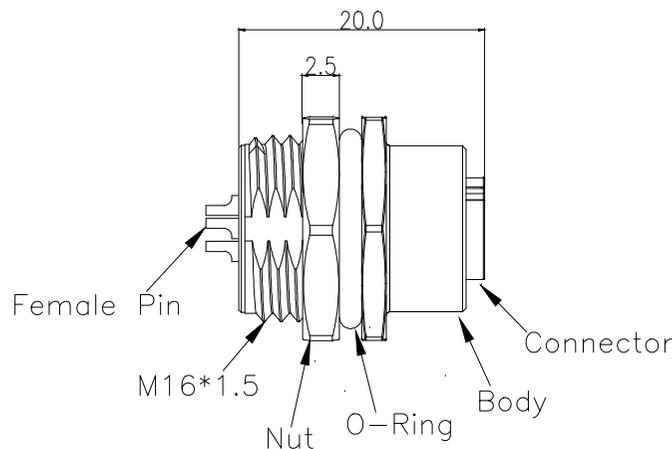
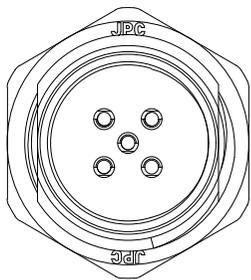
THIS DRAWING AND THE DATA DISCLOSED HEREIN OR HEREWITH IS NOT TO BE REPRODUCED USED OR DISCLOSED IN WHOLE OR IN PART TO ANYONE WITHOUT THE PERMISSION OF JESS-LINK PRODUCTS CO.,LTD.(JPC)

CUSTOMER DRAWING

REV.	ECN NO.	DESCRIPTION	MDF'D	APP'D	DATE
01		First Release	Ray	George	07/15/2024

Pin Assignment Front View

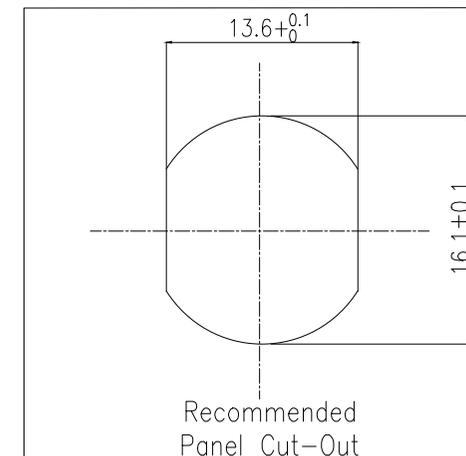
2pin  250V/4A	3pin  250V/4A	4pin  250V/4A
5pin  60V/4A	6pin  30V/2A	8pin  30V/2A
10pin  30V/1.5A	12pin  30V/1.5A	17pin  30V/1A



P/N:

A-MN12-XXP-FFSS-SR-70002

XX : No. Of Pin



Notes:

- Connector :
  - Housing : PA66 , Black , UL94V-0
  - Female Pin : Copper alloy , Gold plated
  - O-Ring : Silicone Rubber , Black
  - Body : Zinc Alloy , Ni plated.
  - Nut : Zinc Alloy , Ni plated.
- Waterproof Rate : IP67 Mated.
- RoHS Compliant

<b>RoHS COMPLIANT</b>	Unit : mm	PROJECTION 	<b>JPC connectivity</b>		
	GENERAL TOLERANCES: (UNLESS SPECIFIED)	D.R. 07/15/2024			TITLE
	0 = ±.50	CH.K 07/15/2024	M12 A code Female Connector Rear Fastened		
	0.0 = ±.25 0.15 = ±.15 0.000 = ±.05 0' = ±.2' 0.0' = ±.1'	APV.D 07/15/2024	SCALE -	SIZE A4	PART NO. A-MN12-XXP-FFSS-SR-70002
					SHEET 1 OF 1